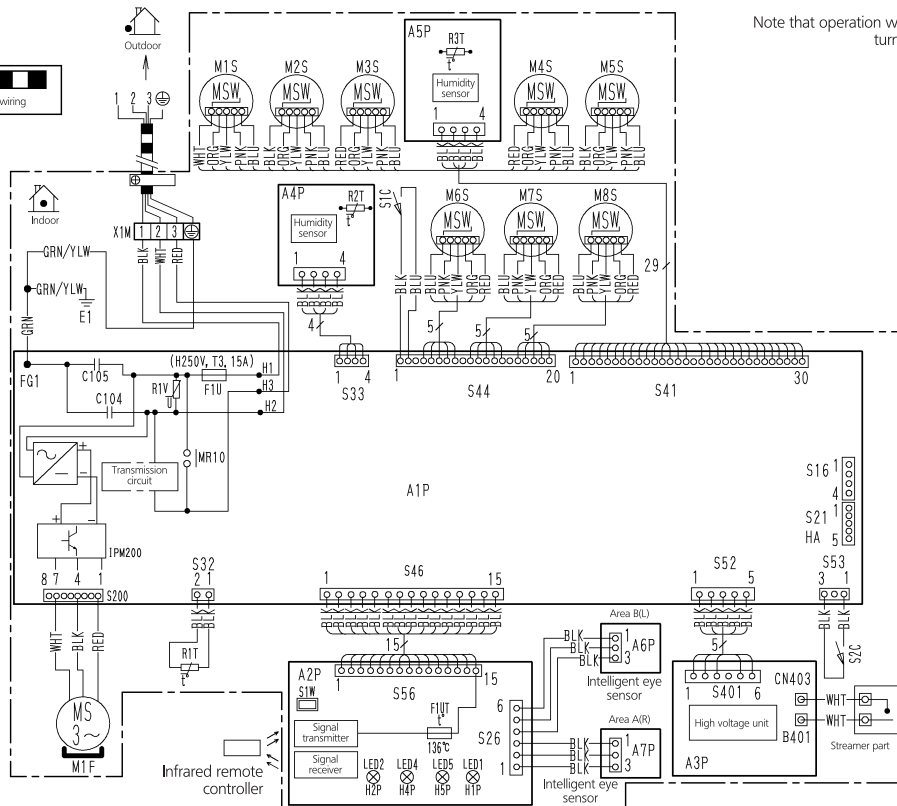


FTXZ-N



CAUTION

Note that operation will restart automatically if the main power supply is turned off and then back on again.

- A1P-A7P : Printed circuit board
- C104,C105 : Capacitor
- FG1 : Frame ground
- F1U : Fuse
- F1UT : Thermal fuse
- H1P, H2P, H4P, H5P : Pilot lamp
- S1C : Limit switch for brush
- S2C : Limit switch for streamer
- M1F : Fan motor
- M1S-M8S : Swing motor
- MR10 : Magnetic relay
- R1T-R3T : Thermistor
- R1V : Varistor
- S16-S401, CN403 : Connector
- S1W : Operation switch
- X1M : Terminal strip
- ⊕ : Protective earth

NOTES:

- 1 Size: length 120 x width 110.
- 2 Refer to purchasing specification AS303002, unless otherwise specified.
- 3 This drawing was drawn on CAD system.